

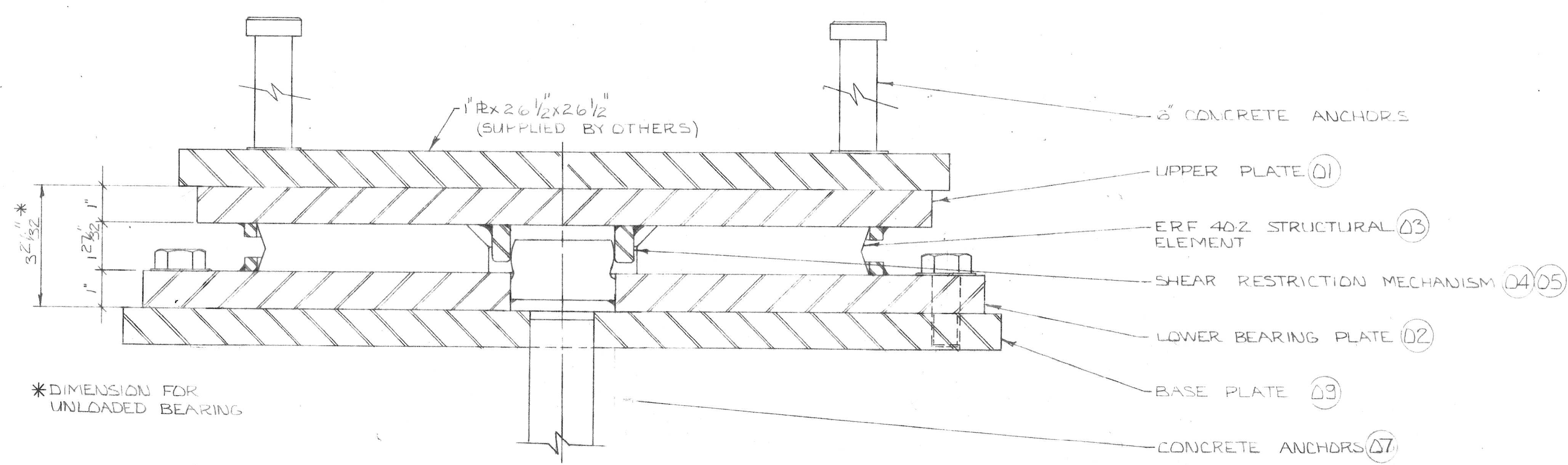
3/4 x 2 1/2 LG BOLTS & LOCK WASHER. STAINLESS STEEL (SUPPLIED BY CONTRACTOR)

HALF SECTION AT CENTRE EXPOSING ERF 40Z ELEMENT & LOWER BEARING PLATE

3/4 x 2 1/2 LG BOLTS & LOCK WASHER (STAINLESS STEEL)

GENERAL NOTES:

- ALL STEEL FOR BEARING ASSEMBLIES SHALL BE CSA STD G 40.20 GRADE 44W
- ALL STEEL TO BE PAINTED ONE SHOP COAT OF PRIMER. EXCEPT FACES IN CONTACT WITH CONCRETE
- ALL WELDING TO CONFORM TO CSA STD W59.1



*DIMENSION FOR UNLOADED BEARING

RED, CHAMBERS & PARTNERS LIMITED
 REVIEWED
 MATERIAL MUST MEET ALL SPECIFICATIONS AND CONDITIONS OF SPECIFICATIONS AND GENERAL CONDITIONS OF CONTRACT AND OTHER GENERAL CONSTRUCTION FEATURES NOT IMPLIED.
 CORRECTIONS ARE REQUIRED WHERE NOTED IN RED
 Project Osborne St. Bridge
 Prof. No. 2477 Sig. H. H. H. Date FEB 17 1974

WABO-FYFE 500TON FIXED BEARING
 For PIER 2 -4 COMPLETE UNITS REQD

TYPE 'C'

- NOTE - INFORMATION AND KNOWHOW ON THIS DRAWING IS THE PROPERTY OF ELASTOMETAL LIMITED USE OR REPRODUCTIONS OF THIS DRAWING IS PROHIBITED WITHOUT WRITTEN PERMISSION	DWG. NO.: E-671-1
	PROJECT: OSBORNE ST. BRIDGE
	ELASTOMETAL LIMITED
	DRAWN BY: EVAN TAYLOR PROJECT # 602-71 DATE: JAN 19 76
CHECKED BY:	SHEET 1 OF 2 SCALE: NTS
WABO-FYFE, FIXED 500 TON BEARING	